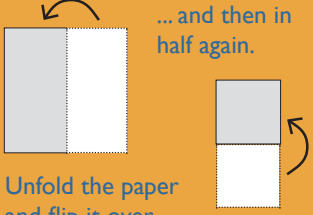


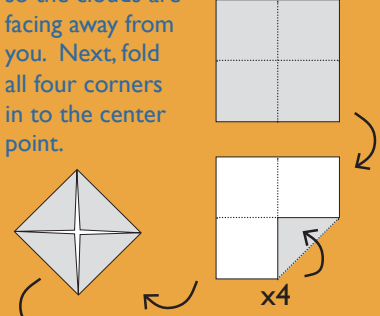
How to fold

After detaching along the perforation, fold the square in half...

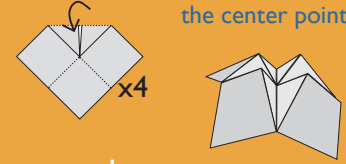


...and then in half again.

Unfold the paper and flip it over so the clouds are facing away from you. Next, fold all four corners in to the center point.



Flip the paper over so that the edges are face down and fold all four corners in to the center point.



How to play

1. Fold the square in half. Place thumbs and index fingers under the cloud name flaps so that the questions are hidden.
2. Spell a cloud type while moving the flaps in and out and side to side with each letter.
3. When spelling is complete, pick one of the four questions shown on the inside flaps.
4. Answer it, then lift the flap to see if you are correct.

Contrail
Name the clouds that form from moisture left behind by planes.

Cumulonimbus
What's the name of a thunderstorm cloud?

Cirrus
What type of cloud is also called fog when it touches the ground?

Stratus

Cirrus
Name the high altitude clouds that look feathery and are made of ice.

Cumulus
Which type of cloud can grow into a thunderstorm?

Altostratus
Which mid-level clouds sometimes look like flocks of puffy sheep?

Cirro-cumulus
Which clouds look like tiny puffs or ripples very high in the sky?

Altostratus
Name the mid-level clouds that look like a uniform gray blanket across the entire sky.

Stratus